

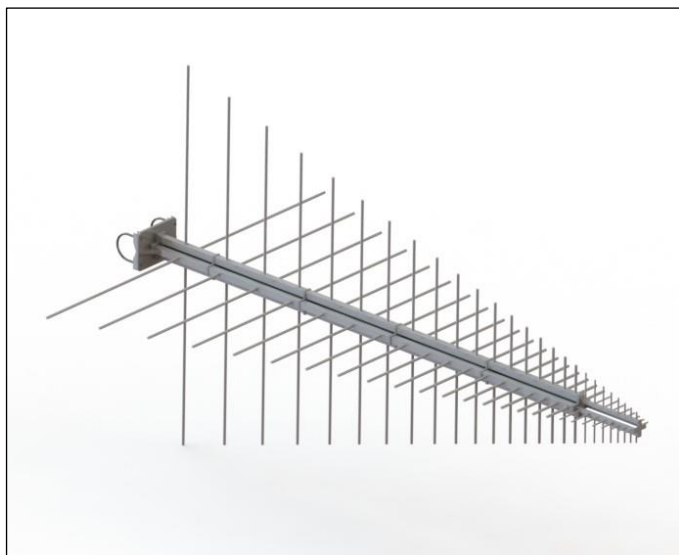
# Dual-Polarised LPDA Antenna

100 – 500 MHz

Product Code: LPDA-A0157

VERSION: 1.1

## SPECIFICATIONS:



<b>Electrical:</b>	
Frequency range	100 – 500 MHz
VSWR	< 2.5:1
Nominal input impedance	50 $\Omega$ nominal
Isolation (typical)	> 15 dB
Feed power handling	100 W
Front-to-back ratio (typical)	> 20 dB
Gain	> 6 dBi over 95% of the frequency band
E-plane 3 dB beamwidth	50°
H-plane 3 dB beamwidth	120°
Polarisation	Dual linear
Connectors	Two N-type female (one for each polarisation)
MTBF	50,000 hours
<b>Mechanical:</b>	
Dimensions (w x h x l)	1700 mm x 1700mm x 2100 mm
Material	Aluminium, stainless steel, fibreglass
Total mass	< 16 kg (including mounting bracket)
<b>Environmental: designed to meet the following specifications</b>	
Wind survival	120 km/h (calculated)
Qualification	Designed to comply with applicable parts of MIL-STD-810E
Temperature (operational)	-40 °C to + 55 °C (no icing)

## PRODUCT DESCRIPTION:

The LPDA-A0157 is a dual-polarised 100 W, directional log-periodic dipole array that covers the 100 to 500 MHz frequency band. The antenna is supplied with its mounting bracket.

This antenna is designed to be part of a fixed site, mast mount installation, ideally used in combination with an isolation mast.

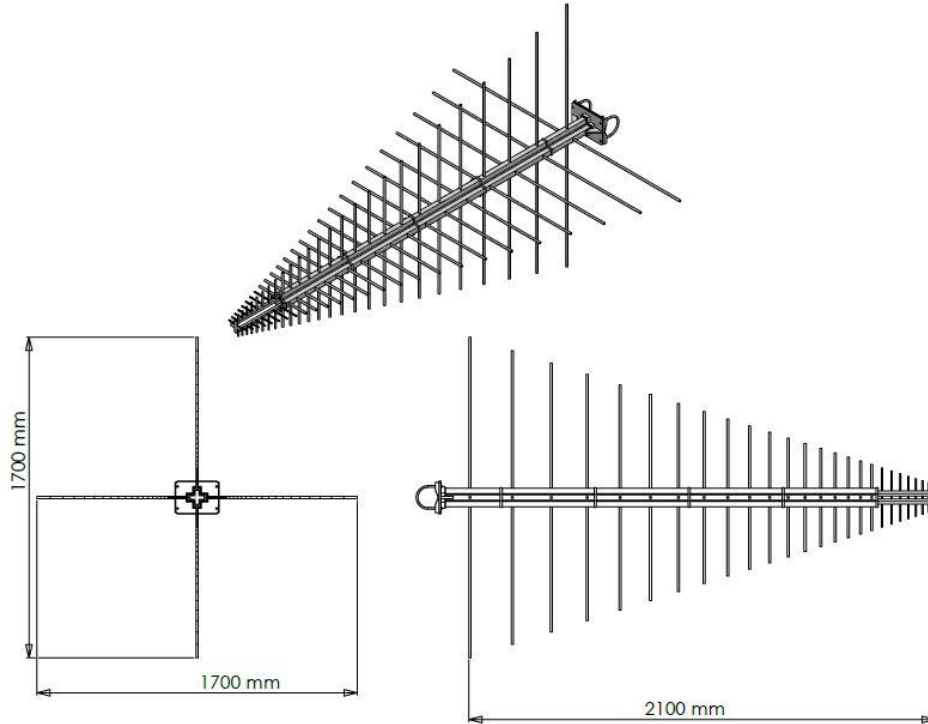
# Dual-Polarised LPDA Antenna

100 – 500 MHz

Product Code: LPDA-A0157

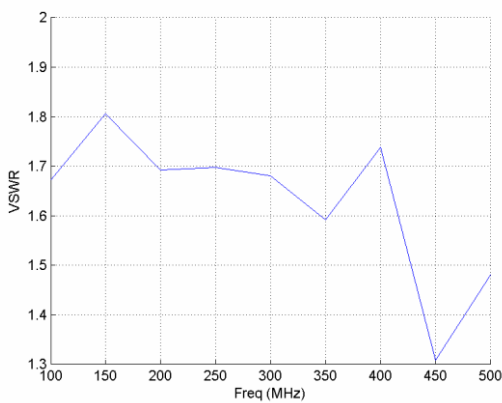
VERSION: 1.1

## PHYSICAL DIMENSIONS:

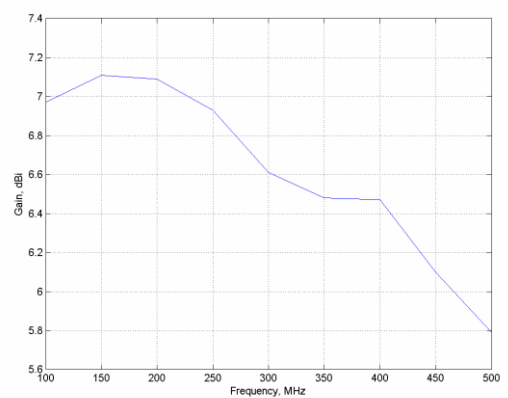


## VSWR AND GAIN GRAPHS:

TYPICAL VSWR FOR EACH POLE:



TYPICAL GAIN FOR EACH POLE:



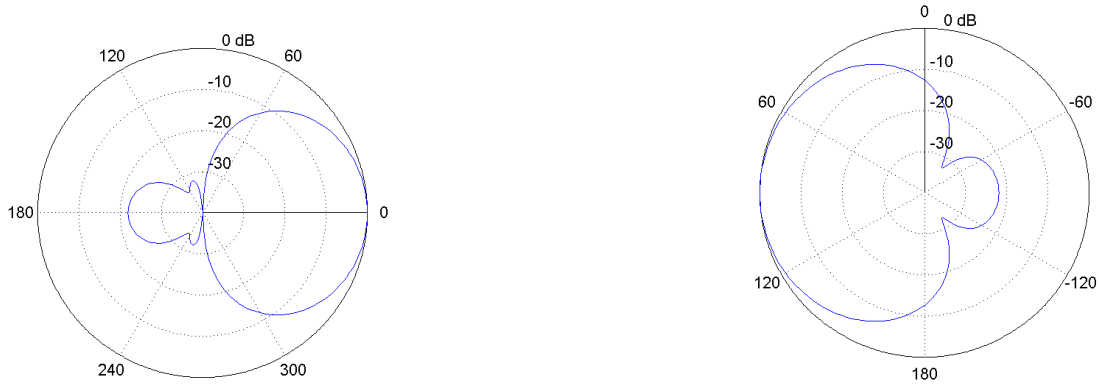
# Dual-Polarised LPDA Antenna

100 – 500 MHz

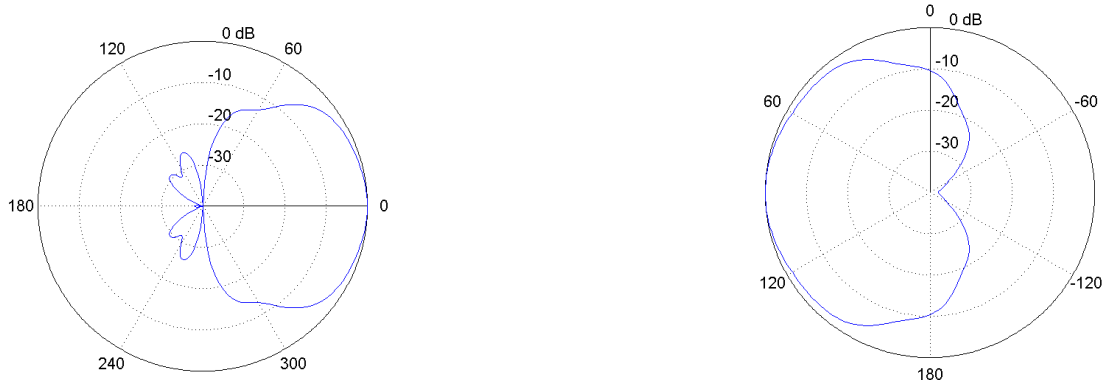
Product Code: LPDA-A0157

VERSION: 1.1

100 MHz E-plane (left) and H-plane (right) patterns:



300 MHz E-plane (left) and H-plane (right): patterns



500 MHz E-plane (left) and H-plane (right) patterns:

